

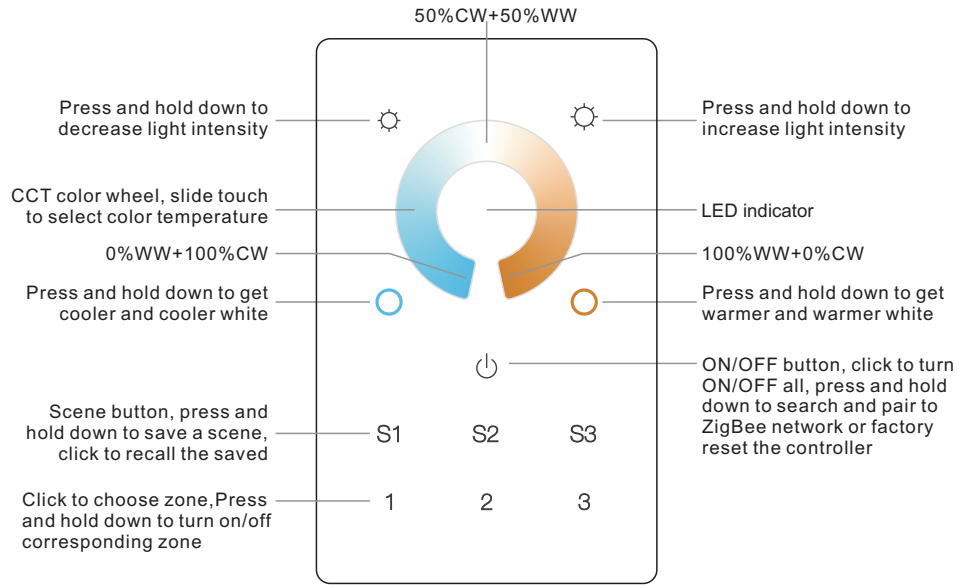
# Dual Color Wall Mounted Touch DMX512 Controller

09.2822U3.04151

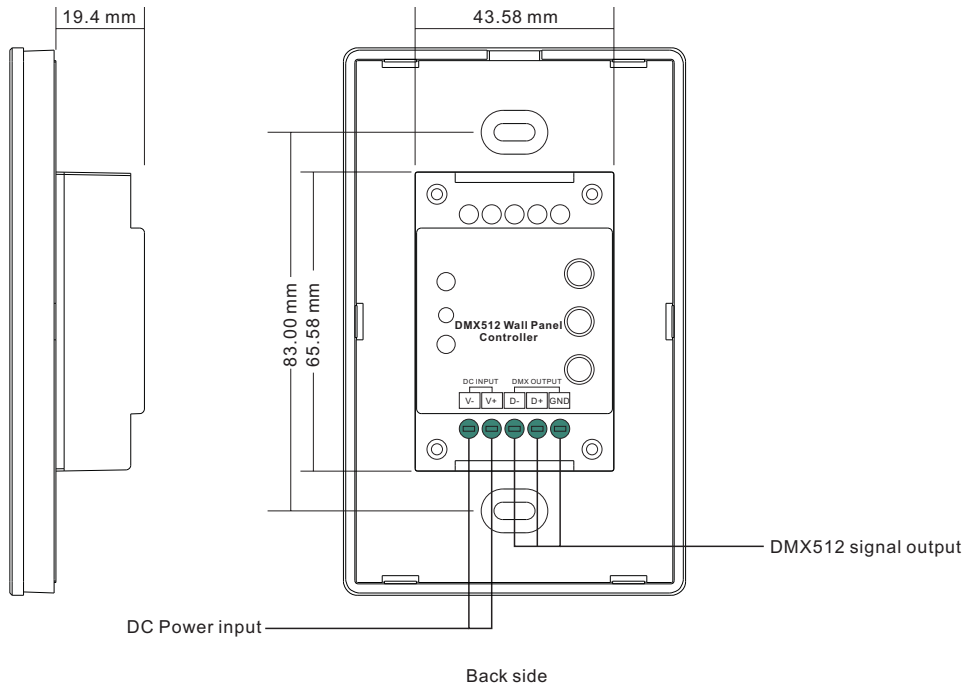


**Important:** Read All Instructions Prior to Installation

## Function introduction



Front side

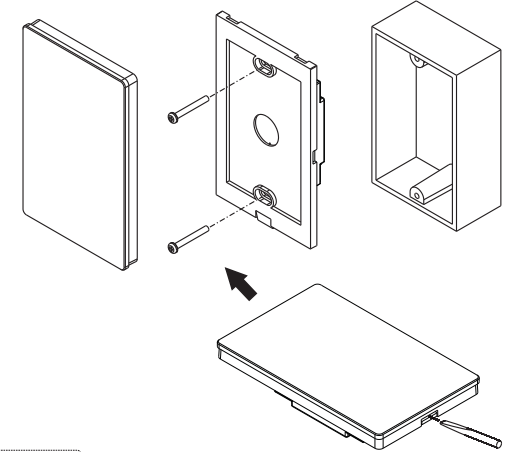


## Product Data

Output Signal	DMX512 signal
Power Supply	12-24VDC
Power consumption	< 20 mA
Operating temperature	0-40°C
Relative humidity	8% to 80%
Dimensions	75x120x29.1mm

- Touch sensitive
- Glass interface(white & black)
- Standard DMX512 Signal output
- Control CCT color
- Control 3 zones/areas
- Waterproof grade: IP20

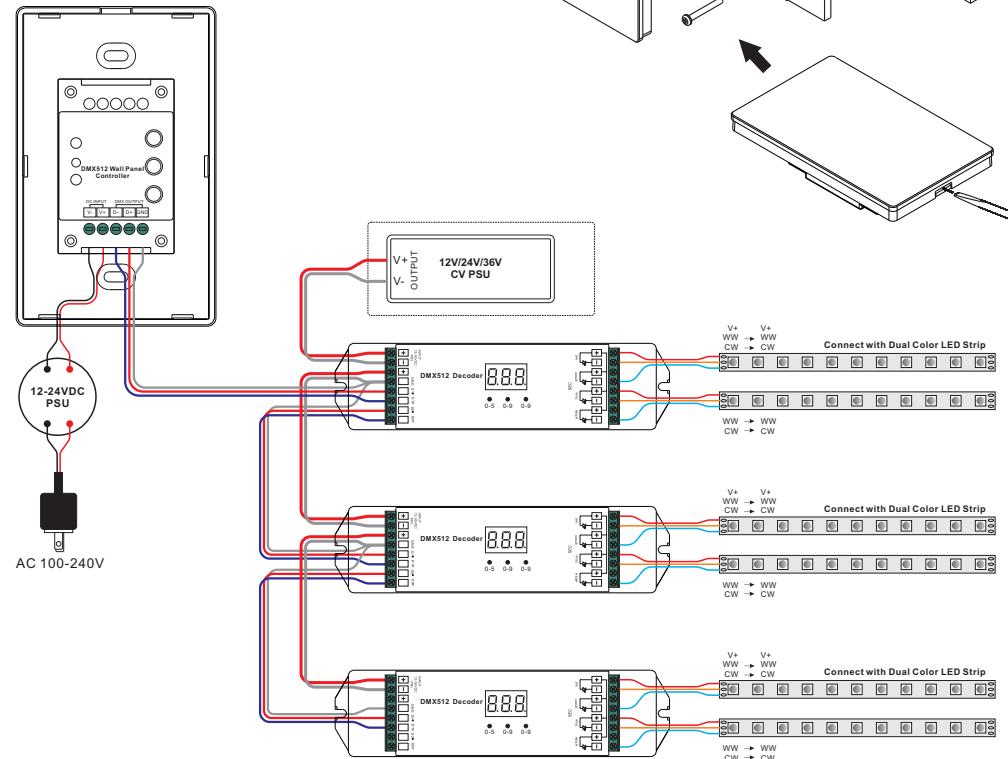
## Installation



## Safety & Warnings

- DO NOT install with power applied to device.
- DO NOT expose the device to moisture.

## Wiring diagram



## Set DMX Address

This DMX master controller controls 3 zones of DMX decoders by setting DMX decoders' address as follows:  
 DMX decoders with address 001 will be controlled by zone 1,  
 DMX decoders with address 005 will be controlled by zone 2,  
 DMX decoders with address 009 will be controlled by zone 3,